



Doosan Machine Tools

6 INCH COMPACT TURNING CENTER

LEO

1600



Basic Information

Basic Structure

Detailed Information

Options
Applications
Diagrams
Specifications

Basic structure

LEO 1600 includes a 30° slanted stable bed structure with highly rigid roller type LM guideway for reliable machining.

A small footprint with big capabilities

The machine is a compact design with 1850 mm width and comes with a 175 mm X-axis stroke and 330 mm Z-axis stroke.

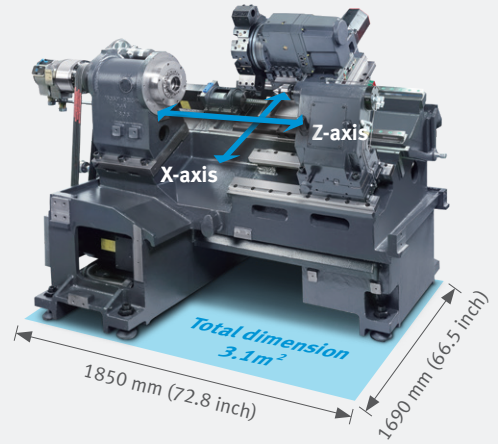
Travel

X-axis **175 mm**
(6.9 inch)

Z-axis **330 mm**
(13.0 inch)

Rapid feederate

X / Z-axis **30 m/min**
(1181.1 ipm)



Machining Area

LEO 1600 offers the largest machining area in its class.

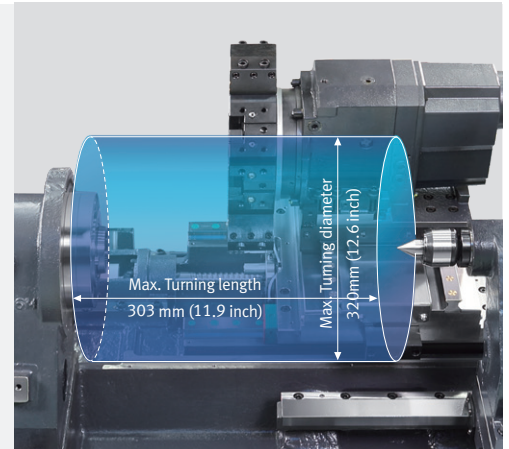
Bar working diameter

45 mm (1.8 inch)

Max. Allowable workpiece weight (including chuck)

Chuck work **70 kg**
(154.3 lb)

Shaft work **150 kg**
(330.7 lb)



High reliable spindle

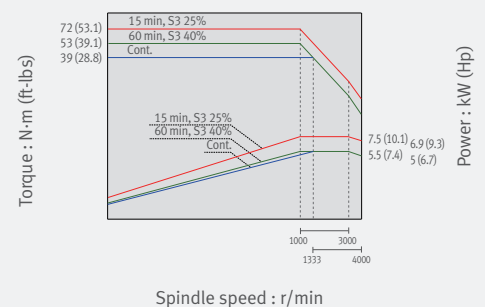
Highly reliable spindle with high-rigidity spindle bearing design is available with chuck size 6 inch standard, 8 inch option.



NC : DOOSAN FANUC i series

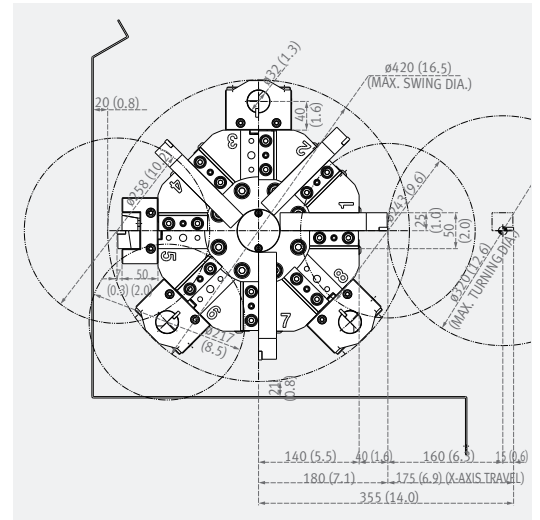
Max. Spindle speed : 4000 r/min

Max. Spindle power : 7.5/5.5 kW (10.1/7.4 HP)



Turret

The durable eight station turret ensures stable tool rotation and increase machine performance.



Tailstock option

Rigid tailstock is available to provide stable support of long workpieces.



Ease of Operation

User friendly Design for ease of operation

- Easy monitoring with reclined front window.
- Rear side chip disposal
- Routine maintenance details are placed in front



For reducing operator workload, designed wide door opening





Standard / Optional Specifications

● Standard ○ Optional X Not applicable

Detailed Information

- Options
- Applications
- Diagrams
- Specifications

Various optional features are available for customer-specific work environments.

Quick change CAPTO option



The Quick Change Tool system simplifies tool change operation. Recommended for users who need to change tools frequently or reduce the set-up time.

No.	Description	Features	LEO 1600
1	Chuck	170 mm (6 inch)	●
2		210 mm (8 inch)	○
3	Jaw	Soft Jaws	●
4		Hardened & Ground Jaws	○
5	Tailstock	Manual Live	○
6		Live center_MT4	○
7	Chucking	Chuck clamp confirmation	○
8	Turret	8 stations	●
9		12 stations	○
10	Coolant pump	1.3 bar	●
11		1.5 bar	○
12		4,5 bar	○
13	Coolant option	Oil skimmer (Belt type)	○
14		Rear side	●
15		Right side	○
17	Rear chip conveyor	Hinged belt	○
18		Magnetic scrapper	○
19		Screw (auger)	○
20	Side chip conveyor	Hinged belt	○
21		Magnetic scrapper	○
22		Screw (auger)	○
23	Chip bucket	Folklift 110L (for auger conveyor)	○
24		Folklift 200L (for auger conveyor)	○
25		Folklift 220L	○
26		Folklift 300L	○
27		Folklift 380L	○
28		Rotation 220L	○
29	Rotation 300L	○	
30		Rotation 380L	○

* Please contact DOOSAN to select detail specifications.

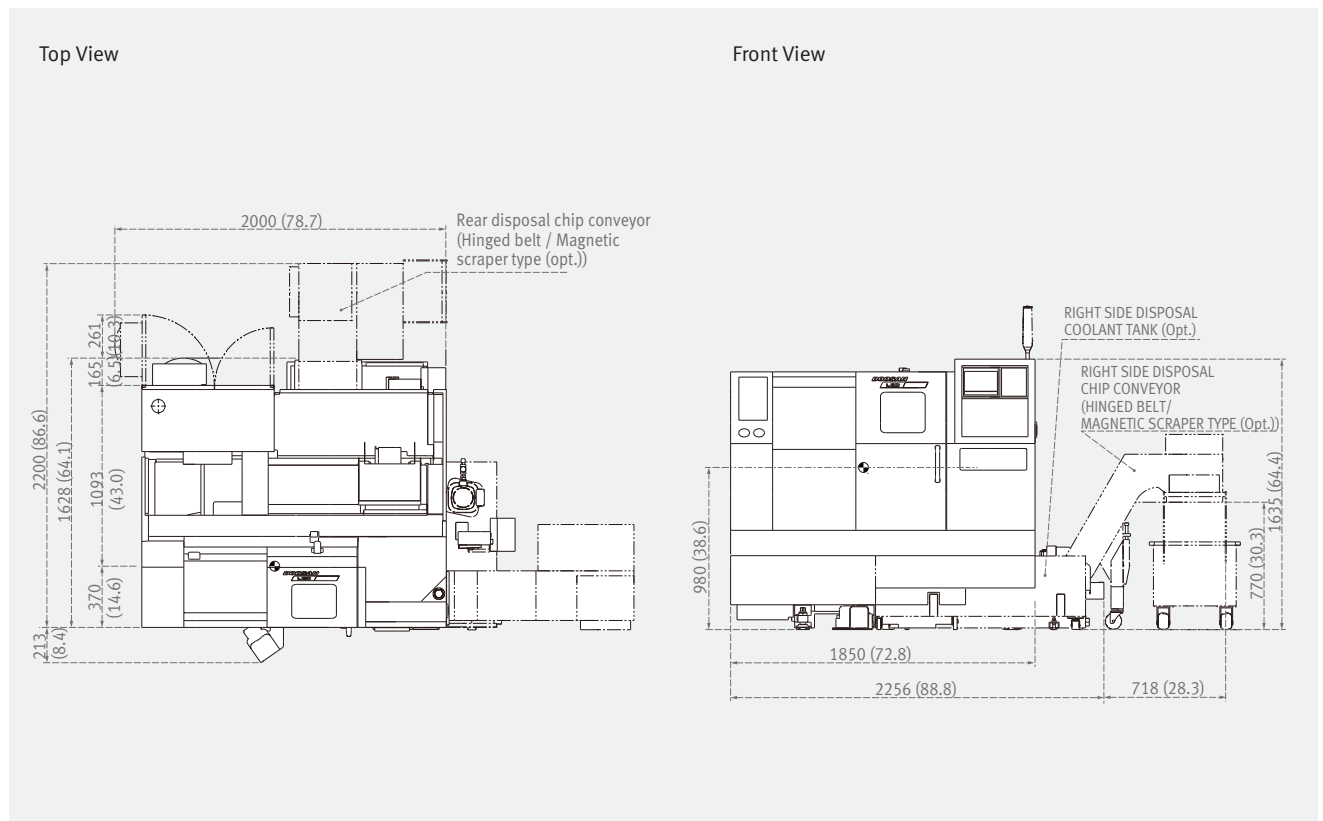
No.	Description	Features	LEO 1600
31	Optional device	Top cover	○
32		Parts catcher	○
33		Bar feeder interface	○
34		Air conditioner	○
35		Work & Tool counter	○
36		Signal tower	○
37	Customized Special Option	PARTS CATCHER_BOX TYPE_MAIN/LEFT SPINDLE	○
38		TOOL SETTER_MANUAL	○
39		TOOL SETTER_AUTOMATIC_ELECTRIC	○
40		U-DRILL HOLDER CAP	○
41		AUTOMATIC FRONT DOOR WITH SAFETY EDGE	○
42		NUMBER OF TOOL ST. FOR MAIN_12ST	○
43		COOLANT PRESSURE SWITCH	○
44		COOLANT CHILLER	○
45		AUTO WORK MEASUREMENT_OLP40_RENISHAW	○
46		CHIP CONVEYOR_TYPE_SCREW	○
47		AIR LIMIT SENSING ON CHUCK_PREPARATION	○
48		AIR CHUCK PREPARATION	○
49		MIST COLLECTOR_0.4KW	○
50		MIST COLLECTOR_0.75KW	○
51		TSC FOR MAIN/LEFT SPINDLE_PREPARATION	○
52		TSA FOR MAIN/LEFT SPINDLE_PREPARATION	○
53		Coolant level switch : Sensing level - Low	○

* * Tool setter & Part catcher options are not possible to be mounted at the machine together due to restriction of installation space

External Dimensions

LEO 1600

Unit: mm (inch)

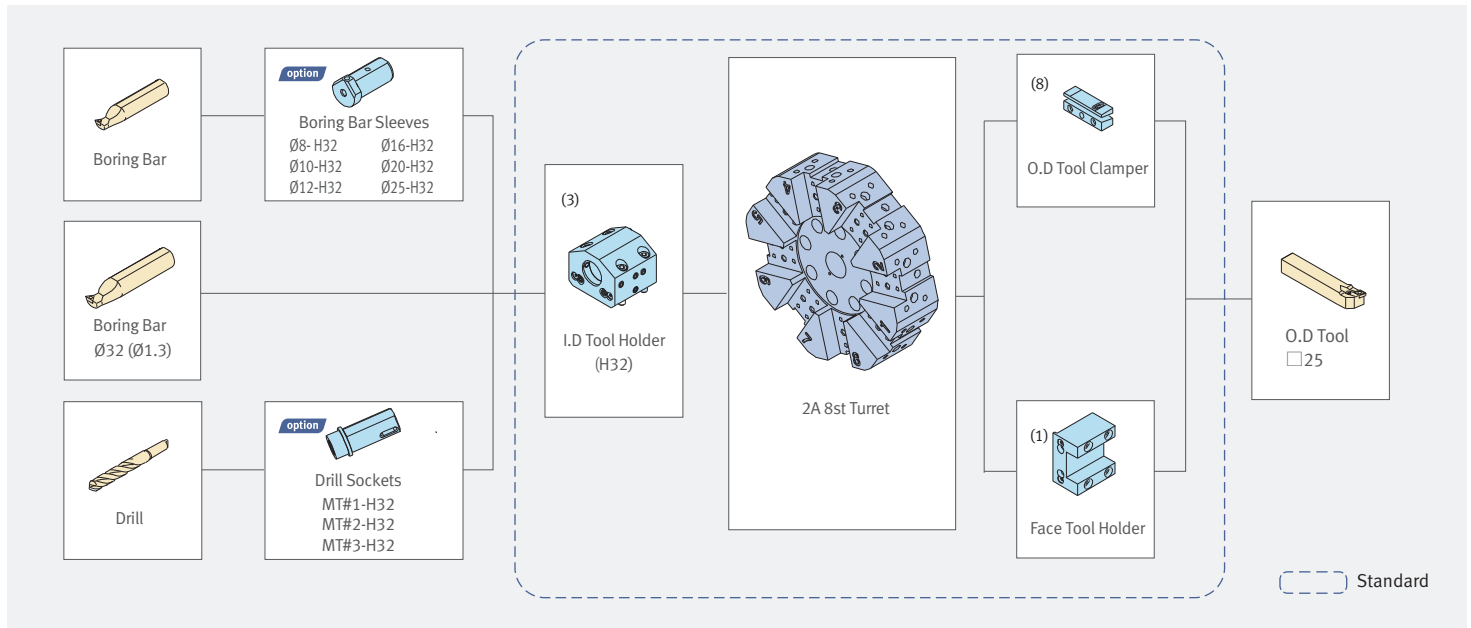


* Some peripheral equipment can be placed in other places

Tooling System / Working Range

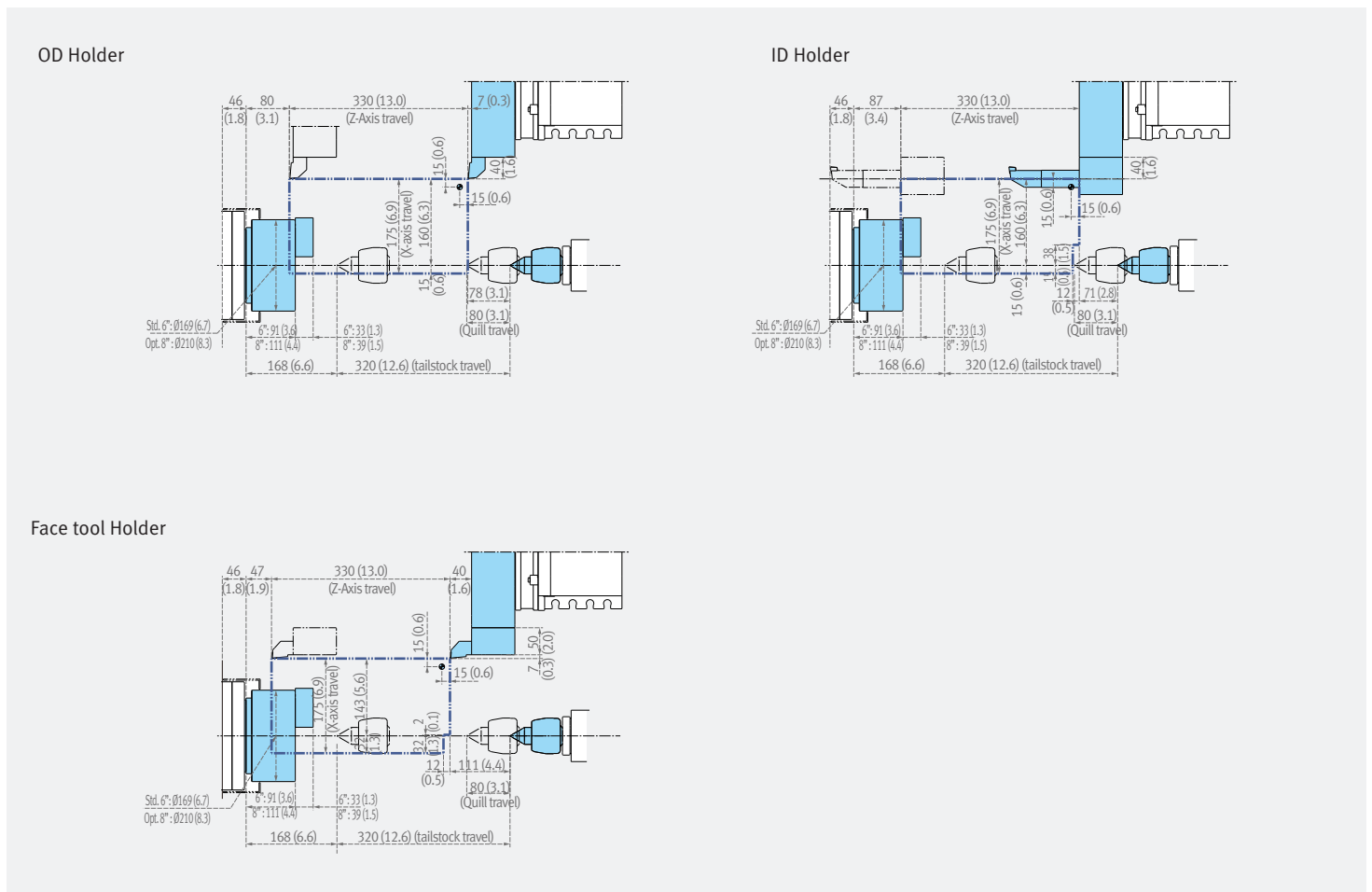
Tooling System (8 stations)

Unit: mm (inch)



Working Range

Unit: mm (inch)



Machine Specifications



Item			Unit	LEO 1600
Capacity	Swing over bed		mm (inch)	470 (18.5)
	Swing over saddle		mm (inch)	300 (11.8)
	Recom. Turning diameter		mm (inch)	170 (6.7)
	Max. Turning diameter		mm (inch)	320 (12.6)
	Max. Turning length		mm (inch)	303 (11.9)
	Chuck size		inch	6 {8}*
	Bar working diameter		mm (inch)	45 (1.8)
Travel	Travel distance	X axis	mm (inch)	175 (6.9)
		Z axis	mm (inch)	330 (13.0)
	Rapid traverse rate	X axis	m/min (ipm)	30 (1181.1)
		Z axis	m/min (ipm)	30 (1181.1)
Spindle	Max. Spindle speed		r/min	4000
	Main spindle motor power (S3 25%/cont.)		kW (Hp)	7.5/5.5 (10.1/7.4)
	Spindle nose		ASA	A2-5
	Spindle bearing diameter (Front)		mm (inch)	90 (3.5)
	Spindle through hole diameter		mm (inch)	61 (2.4)
Turret	No. of tool stations		ea	8 {12}*
	OD tool size		mm (inch)	25 x 25 (1.0 x 1.0)
	Max. boring bar size		mm (inch)	∅32 (∅1.3)
	Turret Indexing time (1 station swivel)		sec	0.15
Tail Stock	Quill diameter		mm (inch)	65 (2.6)
	Quill bore taper		MT	#4
	Quill travel		mm (inch)	80 (3.1)
Motors	Coolant pump motor power		kW (Hp)	0.18 {0.4/1.1}* (0.2 {0.5/1.5})
Power source	Electric power supply (rated capacity)		kVA	14.97
Machine Dimensions	Height		mm (inch)	1635 (64.4)
	Length		mm (inch)	1850 (72.8)
	Width		mm (inch)	1690 (66.5)
	Weight		kg (lb)	2600 (5731.9)
Control	CNC system		-	DOOSAN Fanuc i Plus

*{ } : Option

CNC Specifications

● Standard ○ Optional X Not applicable



No.	Division	Item	Spec.	DOOSAN Fanuc i Plus 2-Axis	
1	Controlled axis	Control paths		1 Path	
2		Simultaneously controlled axes		2 axes	
3		Cs contouring control		X	
4		Torque control		●	
5		HRV2 control		●	
6		Inch/metric conversion		●	
7		Stored stroke check 1		●	
8		Stored stroke check 2,3		●	
9		Stored limit check before move		○	
10		Chamfering on/off		●	
11		Unexpected disturbance torque detection function		●	
12		Position switch		●	
13	Operation	DNC operation	Included in RS232C interface.	●	
14		DNC operation with memory card		●	
15		Quick program restart		X	
16		Tool retract and recover		○	
17		Manual intervention and return		○	
18		Wrong operation prevention		●	
19		Dry run		●	
20		Single block		●	
21		Reference position shift		●	
22		Handle interruption		○	
23		Incremental feed	x1,x10,x100	●	
24		Manual handle retrace		○	
25		Active block cancel		X	
26		Interpolation functions	Nano interpolation		●
27			Linear interpolation		●
28	Circular interpolation			●	
29	Polar coordinate interpolation			X	
30	Cylindrical interpolation			X	
31	Helical interpolation			X	
32	Thread cutting, synchronous cutting			●	
33	Multi threading			●	
34	Thread cutting retract			●	
35	Continuous threading			●	
36	Variable lead thread cutting			●	
37	Skip		G31	●	
38	High-speed skip	Input signal is 8 points.	○		
39	2nd reference position return	G30	●		
40	3rd/4th reference position return		●		
41	Feed function	Override cancel		●	
42		Manual per revolution feed		●	
43		AI contour control I		○	
44		AI contour control II		X	
45		Bell-type acceleration/ deceleration before look ahead interpolation	Included in AI contour control I or II	○	
46		Rapid traverse block overlap		●	
47	Program input	Optional block skip	9 pieces	○	
48		Absolute/incremental programming	Combined use in the same block	●	
49		Diameter/Radius programming		●	
50		Automatic coordinate system setting		●	
51		Workpiece coordinate system	G52 - G59	●	
52		Workpiece coordinate system preset		●	
53		Direct drawing dimension programming		●	
54		G code system	A/B/C	●	
55		Chamfering/Corner R		●	
56		Custom macro		●	
57	Addition of custom macro common variables	#100 - #199, #500 - #999	●		

No.	Division	Item	Spec.	DOOSAN Fanuc i Plus 2-Axis
58	Program input	Interruption type custom macro		○
59		Canned cycle		●
60		Multiple repetitive cycles	G70~G76	●
61		Multiple repetitive cycles II	Pocket profile	●
62		Canned cycle for drilling		●
63		Coordinate system shift		●
64		Direct input of coordinate system shift		●
65		Pattern data input		○
66	Operation Guidance Function	EZ Guidei(Conversational Programming Solution)		X
67		MANUAL GUIDE Oi		○
68		iHMI with Machining Cycle		X
69	EZ Operation package		●	
70	Auxiliary/ Spindle speed function	Constant surface speed control		●
71		Spindle override	0 - 150%	●
72		Spindle orientation		●
73		Rigid tap		●
74	Arbitrary speed threading		○	
75	Tool function/ Tool compensation	Tool function		T2 +2 digits
76		Tool offset pairs	128-pairs	●
77		Tool offset pairs	200-pairs	○
78		Tool offset		●
79		Tool radius/Tool nose radius compensation		●
80		Tool geometry/wear compensation		●
81		Automatic tool offset	G36/G37	○
82		Direct input of offset value measured B		○
83		Tool life management		●
84	Accuracy compensation function	Backlash compensation for each rapid traverse and cutting feed		●
85		Stored pitch error compensation		○
86	Editing operation	Part program storage size & Number of registerable programs	5120M(2MB) _ 1000 programs	●
87		Part program storage size & Number of registerable programs	1280M (512KB) _ 400 programs	X
88		Part program storage size & Number of registerable programs	5120M(2MB) _ 400 programs	X
89		Program protect		●
90		Password function		●
91		Playback		●
92	Setting and display	Status display		●
93		Main menu screen		X
94	Data input/output	Reader/puncher interface	Reader/puncher (Ch.1) interface	●
95		Fast data server		X
96		External data input		●
97		Memory card input/output		●
98		USB memory input/output		●
99	Automatic data backup		●	
100	Interface function	Embedded Ethernet		●
101		Fast Ethernet		X
102	Others	Display unit	10.4" color LCD	●
103		PMC ladder function	8000 steps	●
104		Robot interface with PMC I/O module		○
105		Robot interface with PROFIBUS-DP		X



Head Office

22F T Tower, 30, Sowol-ro 2-gil
Jung-gu, Seoul, Korea, 04637

Tel +82-2-6972-0370/0350

Fax +82-2-6972-0400

Doosan Machine Tools America

19A Chapin Road, Pine Brook
New Jersey 07058, United States

Tel: +1-973-618-2500

Fax: +1-973-618-2501

Doosan Machine Tools Europe

Emdener Strasse 24, D-41540
Dormagen, Germany

Tel: +49-2133-5067-100

Fax: +49-2133-5067-111

Doosan Machine Tools India

No.82, Jakkuar Village
Yelahanka Hobli, Bangalore-560064

Tel: + 91-80-2205-6900

E-mail: india@doosanmt.com

Doosan Machine Tools China

Room 101,201,301, Building 39 Xinzhuan
Highway No.258 Songjiang District
China Shanghai (201612)

Tel: +86 21-5445-1155

Fax: +86 21-6405-1472

Sales inquiry

sales@doosanmt.com

*For more details, please contact Doosan Machine Tools.

*The specifications and information above-mentioned may be changed without prior notice.

*Doosan Machine Tools Co., Ltd. is a subsidiary of MBK Partners. The trademark **DOOSAN** is used under a licensing agreement with Doosan Corporation, the registered trademark holder.



**Fire Safety
Precautions**

There is a high risk of fire when using non-water-soluble cutting fluids, processing flammable materials, neglecting use coolants and modifying the machine without the consent of the manufacturer. Please check the SAFETY GUIDANCE carefully before using the machine.